

Hitch (Internal Wall Bracket) GALVANISED

Application

The Bremick® Internal Wall Brackets are used to stabilise internal, non-load bearing walls from bottom chords of trusses.

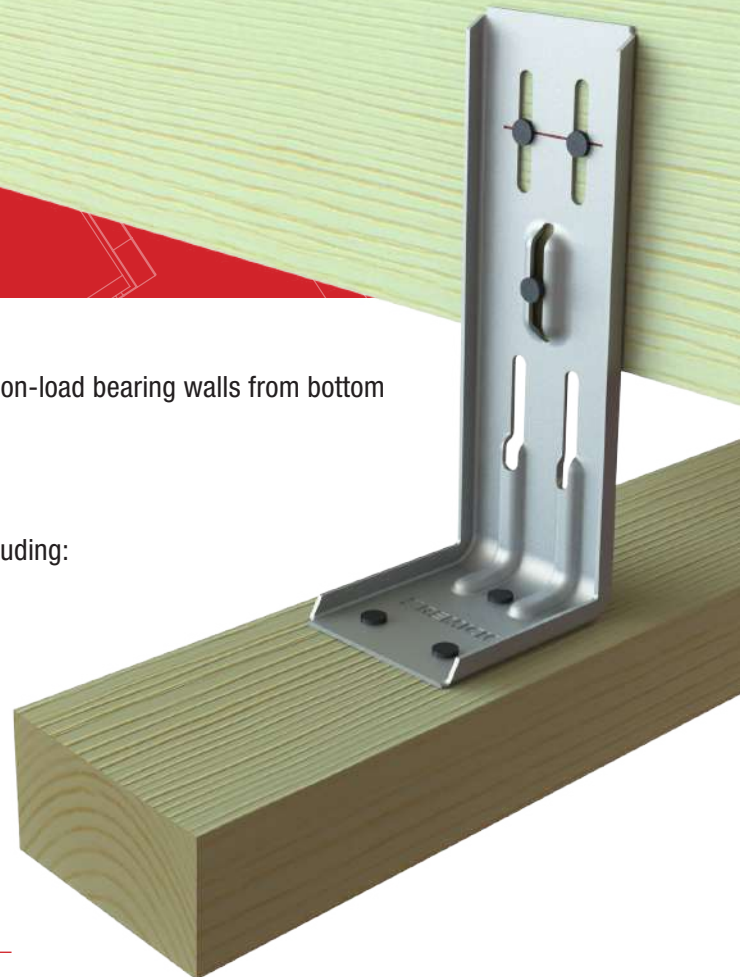
Advantages

The Bremick® Internal Wall Bracket provides numerous benefits including:

- Has built in slots that allow for vertical movement:
 - in the truss over time without transferring the load to the wall, which has not been designed to carry the load
 - of the wall frame due to foundation settlements without inducing forces on the truss.
- The coined product design provides added strength.
- Extra slots are provided to accommodate additional nailing, if required.

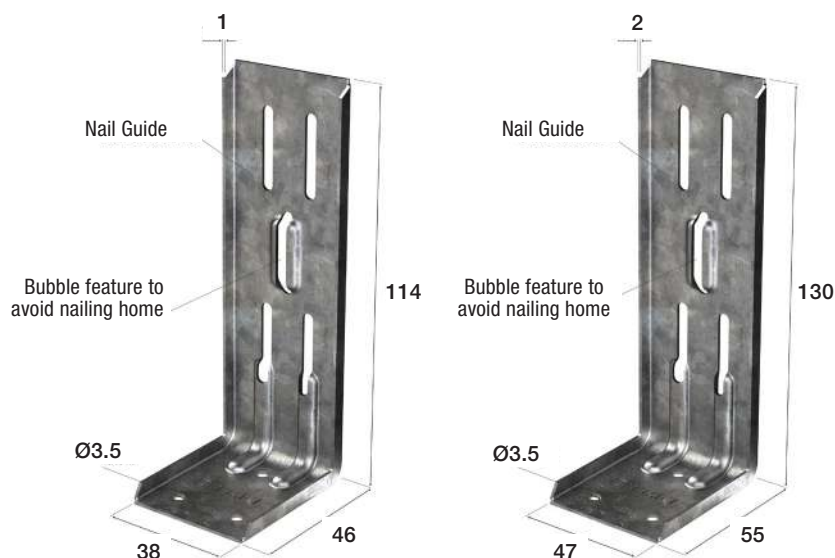
Specifications

Steel Grade	G300
Coating	Z275 – Galvanised
Thickness	1.0mm, 2.0mm
Width	38mm, 47mm
Length A	114mm, 130mm
Length B	46mm, 55mm
Fasteners	Bremick® 35 x 3.15mm Timber Connector Nails



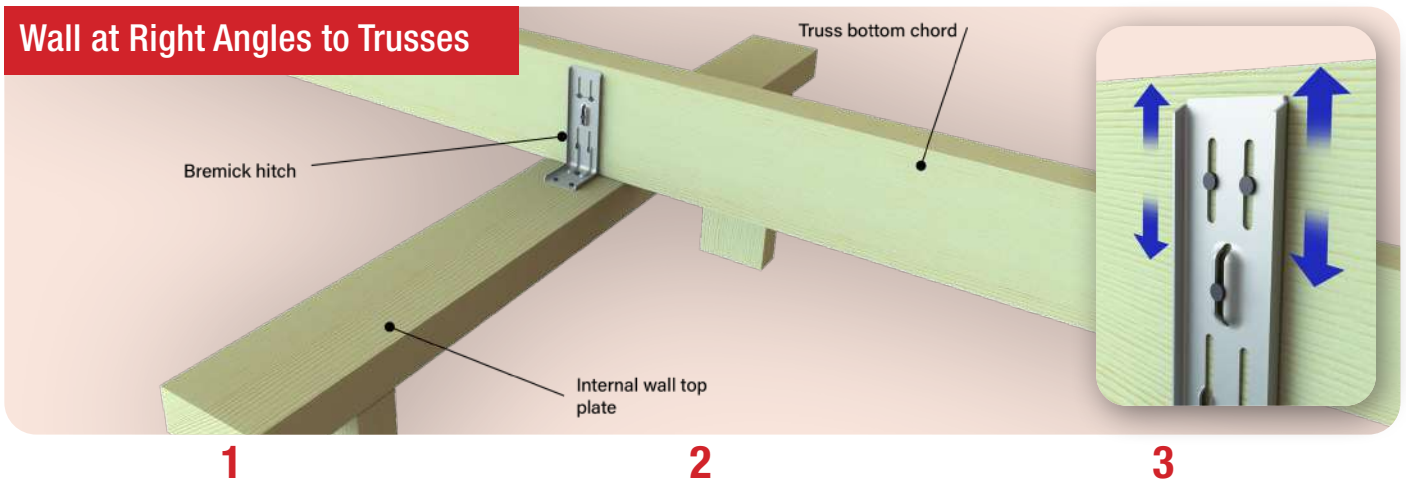
Bremick® Ranging

Product Code	Dimensions	Coined/Plain	Coating	Pack Qty
THIG114046104	38mm x 114mm x 46mm x 1.0mm	Coined	Z275 – Galvanised	50
THHG13005204	47mm x 130mm x 55mm x 2.0mm	Coined	Z275 – Galvanised	50



Installation Instructions

Wall at Right Angles to Trusses



1

Place the Bremick® Internal Wall Bracket alongside the truss bottom chord.

2

Fasten the bracket to the top plate of the non-load bearing wall frame, using Bremick® Timber Connector Nails. Locate the nails through all the pre-punched nail holes. Fix 3 nails in the base of the bracket.

3

Fix the Bremick® Timber Connector Nails through the top of the slots and into the truss bottom chord. Ensure not to drive the nails fully home, as this will allow vertical movement of the truss. The nail should sit proud of the slots. 2 nails should be fastened into separate slots.

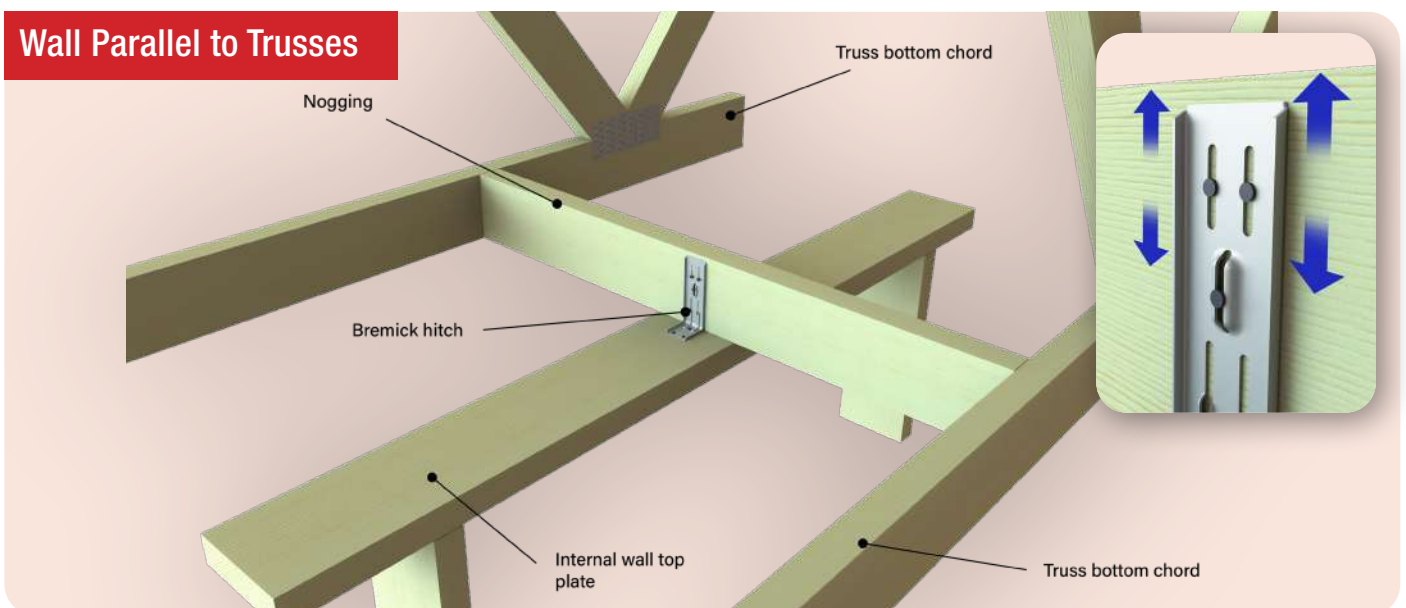
4

For truss cambers not exceeding 10mm the nail should be located midway into the slot. For larger truss cambers the nail should be located near the top of the slot.

5

Fix the Bremick® Internal Wall Bracket at every second truss or 1800mm intervals.

Wall Parallel to Trusses



Notes:

- Do not drive nails in all the way to allow vertical movement.